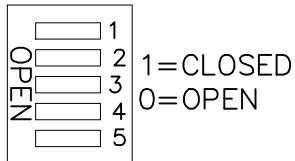


THIS DOCUMENT CONTAINS DATA PROPRIETARY TO PROJECTS UNLIMITED, INC. ANY USE OR REPRODUCTION, IN ANY FORM, WITHOUT PRIOR WRITTEN PERMISSION OF PROJECTS UNLIMITED, INC. IS PROHIBITED.  
 ©2005, Projects Unlimited Inc.

### SPECIFICATIONS

PARAMETERS	VALUES	UNITS
RATED VOLTAGE	24	Vdc
OPERATING VOLTAGE RANGE	9-28	Vdc
tone OUTPUT	SEE 32 TONE CHART	-
RATED CURRENT	SEE 32 TONE CHART	mA
INGRESS PROTECTION	IP65	-
COLOR	RED	-
OPERATING TEMPERATURE	-25 ~ +70	°C
HOUSING MATERIAL	ABS	-
TERMINAL MATERIAL	SCREW	-
WEIGHT	240	grams

#### DETAIL "A"



#### DETAIL "B" VOLUME CONTROL



OPTIONAL BASES  
 DEEP BASE: AWA-DBR  
 U BASE: AWA-UBR  
 120Vac BASE: AWA-DBR-120

#### NOTES:

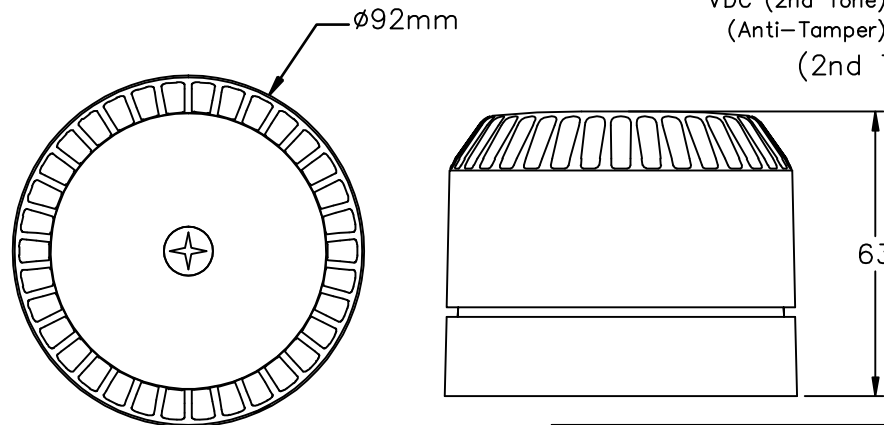
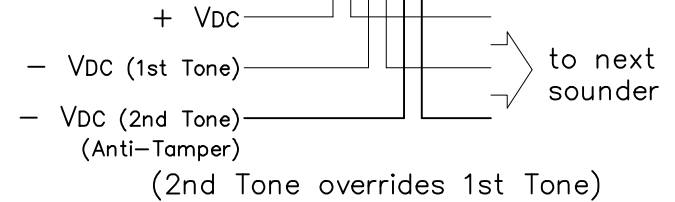
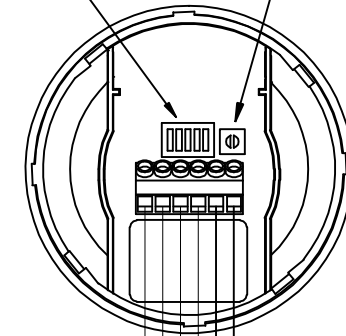
- ALL DIMENSIONS ARE IN MILLIMETERS.
- SPECIFICATION SUBJECT TO CHANGE OR WITHDRAWAL WITHOUT NOTICE.
- FOR SECOND TONE, CONNECT THIRD WIRE TO -VE.
- THIS PART IS RoHS 2002/95/EC COMPLIANT.
- IP65 WITH USE OF AWA-DBR, AWA-DBR-120, OR AWA-UBR BASE.

FILE NAME  
 AW-15LPSBR.DWG

### REVISIONS

LTR	DESCRIPTION	DATE	APPROVED
-	RELEASED FROM ENGINEERING	12/15/05	
A	ADDED RoHS & REVISED BASE NOTES	5/21/07	R.W.
B	REVISED IP RATING	4/21/08	B.R.

SEE DETAIL "A" SEE DETAIL "B"



UNLESS OTHERWISE SPECIFIED:  
 DIMENSIONS ARE IN MILLIMETERS, TOLERANCES ARE ±0.5 AND ANGLES ARE ±3°.

projects unlimited Dayton, Ohio

SIREN

APPROVALS	DATE
DRAWN J.A.F.	12/05
CHECKED E.P.	12/05
APPROVED B.R.	12/05

SIZE A DRAWING NO. AW-15LPSBR

DO NOT SCALE DRAWING

SCALE: N.T.S.

SHEET 1 OF 1